

OIL COOLER ELECTRIC ECO



FEATURES

- High efficiency / compact design for mobile
- 12 / 24 VDC fan
- Aluminum core
- Long life powder coating

The ECO cooler is made for the mobile market, it is highly efficient and very compact.

Code	Voltage	Volume Lts	Material	Air Flow (m/s)	Cooling (kW/C)	Weight (kg)
ECO 03C-12V	12 VDC	80	Aluminium	0.15	0.06	3.5
ECO 03C-24V	24 VDC	80	Aluminium	0.15	0.06	3.5
ECO 04C-12V	12 VDC	80	Aluminium	0.20	0.10	5.5
ECO 04C-24V	24 VDC	80	Aluminium	0.20	0.10	5.5
ECO 07C-12V	12 VDC	100	Aluminium	0.33	0.13	8
ECO 07C-24V	24 VDC	100	Aluminium	0.33	0.13	8



QUEENSLAND:

64 Success Street,
Acacia Ridge
(08) 3216 7855

VICTORIA:

39 Tullamarine Park Rd,
Tullamarine
(03) 8336 1346

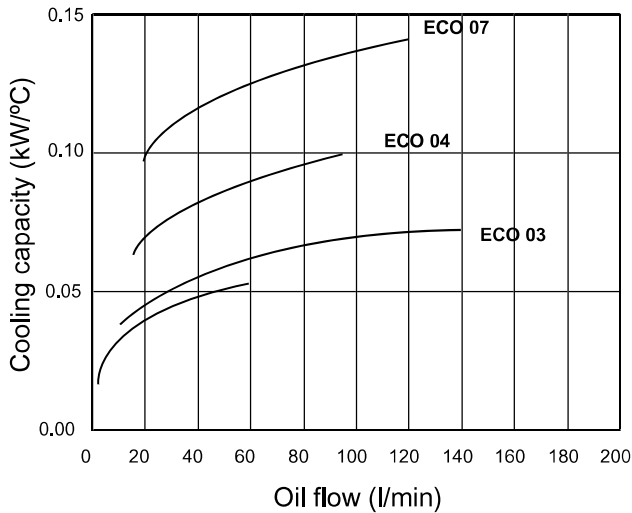
info@gfr.net.au

www.gfrindustries.com.au

TECHNICAL DATA

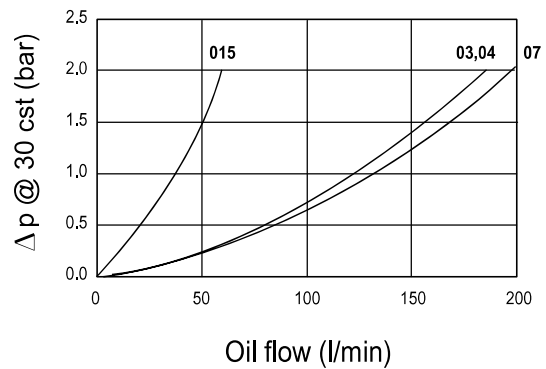


Heat dissipation - ECO 03-07



The cooling capacity curves are based on the temperature of oil entering the cooler and the prevailing air temperature. An oil temperature of +60°C and an air temperature of +20° gives a temperature difference of +40°C. Multiply by kW/°C for the total cooling capacity.

Oil pressure drop - ECO 03-07



ECO	Noise level	Protection	Air flow (m ³ /s)	Current draw		Req. fuse		Weight approx. (kg)
				12V (Amp)	24V (Amp)	12V (Amp)	24V (Amp)	
03	70	IP 65	0.15	6A	3A	10A	5A	3.5
04	70	IP 64	0.2	10A	6A	15A	10A	5.5
07	70	IP 64	0.33	20A	11A	25A	15A	8



QUEENSLAND:

64 Success Street,
Acacia Ridge
(08) 3216 7855

VICTORIA:

39 Tullamarine Park Rd,
Tullamarine
(03) 8336 1346

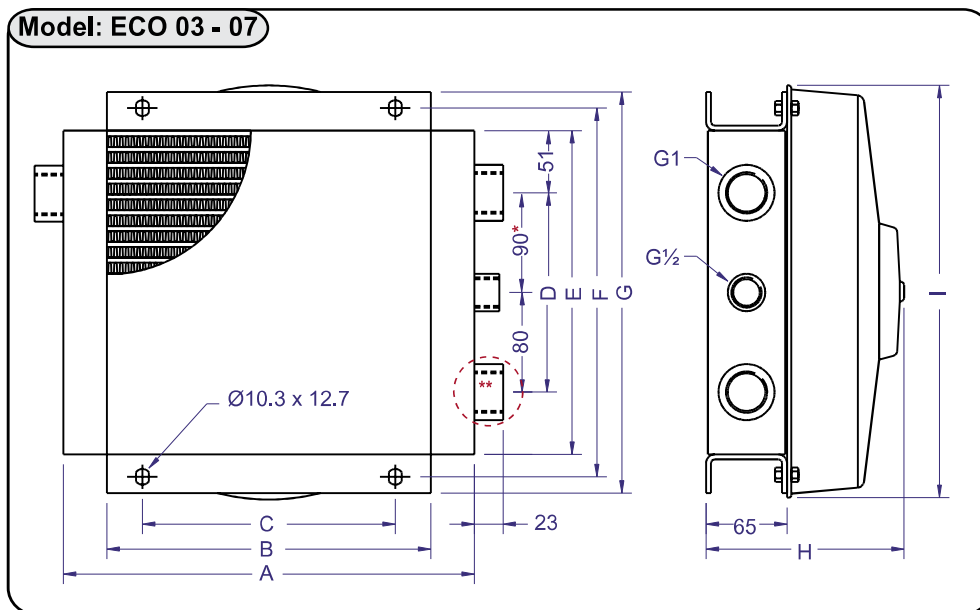
info@gfr.net.au

www.gfrindustries.com.au

TECHNICAL DATA ECO-07



ECO	A	B	C	D	E	F	G	H	I
03	244	174	130.6	-	172	197.6	210	114	Ø210
04	267	197	152.4	-	198	228.6	241	156	Ø247
07	330	260	203	160	262	296	322	159	Ø331



* 03, 04 only

** Not available in 03, 04



QUEENSLAND:

64 Success Street,
Acacia Ridge
(08) 3216 7855

VICTORIA:

39 Tullamarine Park Rd,
Tullamarine
(03) 8336 1346

info@gfr.net.au

www.gfrindustries.com.au

OIL COOLER ELECTRIC SQD



FEATURES

- High efficiency / compact design for mobile
- 12 / 24 VDC fan
- Aluminum core
- Long life powder coating
- OPTIONAL PROTECTIVE GRILLS
REF SQD-11VERT-GRL



The SQD cooler is made for the mobile market, it is highly efficient and very compact.

Code	Voltage	Volume Lts	Material	Air Flow (m/s)	Cooling (kW/C)	Weight (kg)
SQD11C-12V	12 VDC	100	Aluminium	0.51	0.30	13
SQD11C-24V	24 VDC	100	Aluminium	0.51	0.30	13
SQD16C-12V	12 VDC	160	Aluminium	0.62	0.40	16
SQD16C-24V	24 VDC	160	Aluminium	0.62	0.40	16
SQD23C-12V	12 VDC	200	Aluminium	0.75	0.60	
SQD23C-24V	24 VDC	200	Aluminium	0.75	0.60	25
SQD33C-12V	12 VDC	250	Aluminium	0.95	0.75	
SQD33C-24V	24 VDC	250	Aluminium	0.95	0.75	30



QUEENSLAND:

64 Success Street,
Acacia Ridge
(08) 3216 7855

VICTORIA:

39 Tullamarine Park Rd,
Tullamarine
(03) 8336 1346

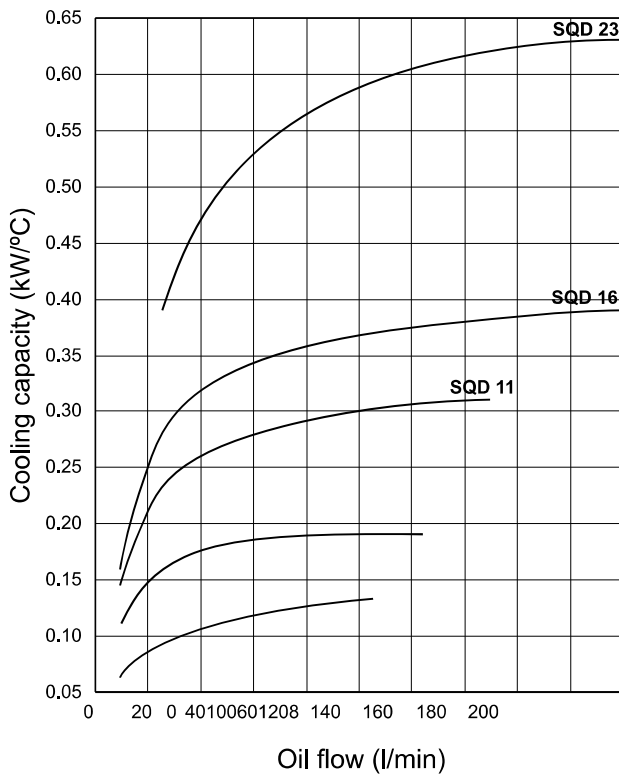
info@gfr.net.au

www.gfrindustries.com.au

SQD 12-24VOLT SERIES



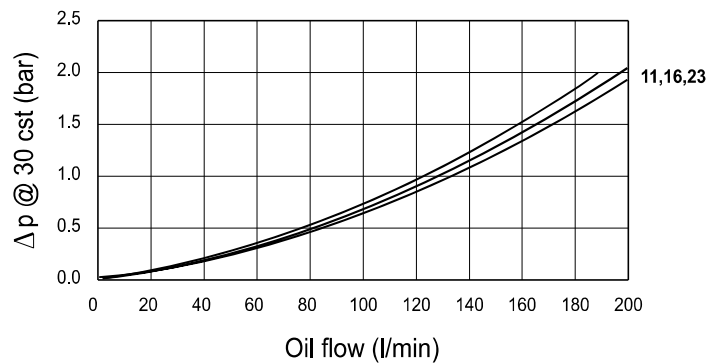
Heat dissipation - SQD 11-33



TECHNICAL DATA

The cooling capacity curves are based on the temperature of oil entering the cooler and the prevailing air temperature. An oil temperature of +60°C and an air temperature of +20° gives a temperature difference of +40°C. Multiply by kW/°C for the total cooling capacity.

Oil pressure drop - SQD 11-33



SQD	Noise level	Protection	Air flow (m³/s)	Current draw		Req.fuse		Weight approx. (kg)
				12V (Amp)	24V (Amp)	12V (Amp)	24V (Amp)	
11	70	IP 64	0.51	20A	11A	25A	15A	13
16	70	IP 64	0.62	20A	11A	25A	15A	16
23	70	IP 64	0.95	2 x 20A	2 x 11A	2 x 25A	2 x 15A	26
33	70	IP 64	0.95	2 x 20A	2 x 11A	2 x 25A	2 x 15A	26



QUEENSLAND:

64 Success Street,
Acacia Ridge
(08) 3216 7855

VICTORIA:

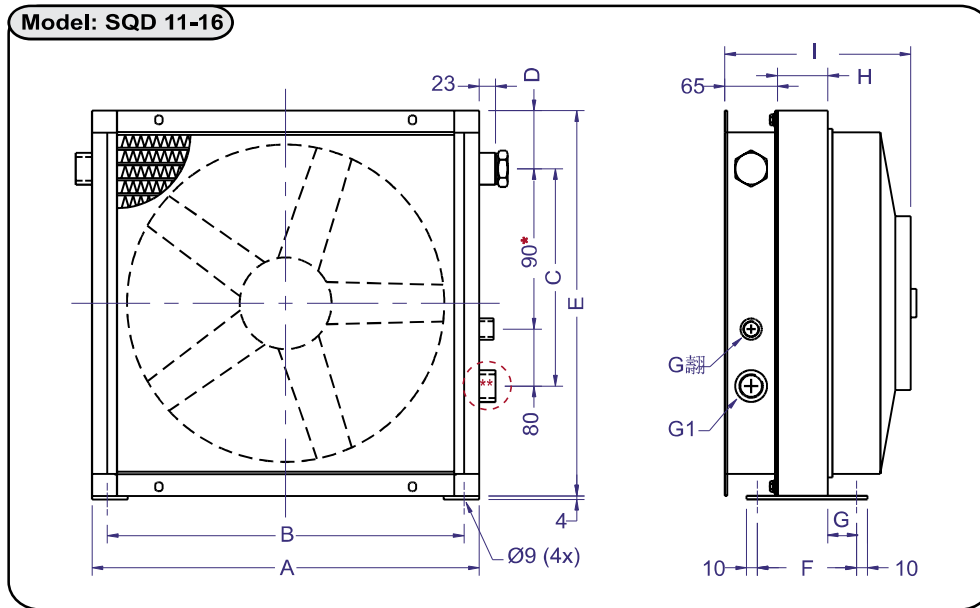
39 Tullamarine Park Rd,
Tullamarine
(03) 8336 1346

info@gfr.net.au

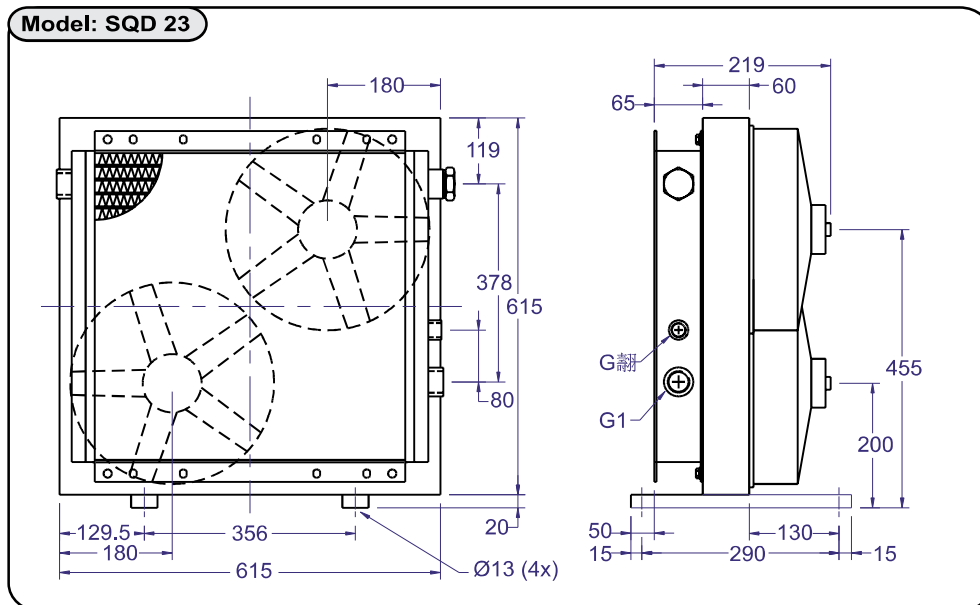
www.gfrindustries.com.au

SQD - DC DRIVE

TECHNICAL DATA



SQD	A	B	C	D	E	F	G	H	I
11	400	360	228	82	392	120	30	60	219
16	464	416	229	80	456	120	30	60	219



QUEENSLAND:

64 Success Street,
Acacia Ridge
(08) 3216 7855

VICTORIA:

39 Tullamarine Park Rd,
Tullamarine
(03) 8336 1346

info@gfr.net.au

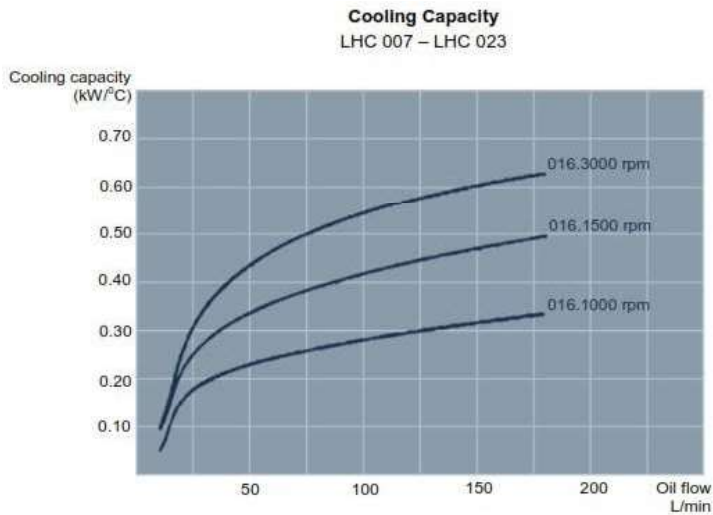
www.gfrindustries.com.au

OIL COOLER HYDRAULIC FAN



FEATURES

- High efficiency / compact design for mobile
- Hydraulic Fan—Dangerous Goods compliant



The HLC cooling module has a tank and cooling system, hydraulic drive. Made for high flow and Dangerous Goods environments.

Code	Drive	Volume Lts	Material	Cooling Capacity (Kw/C)	Weight (kg)	Fan motor flow
A-GFRHLC11SS	Hydraulic	140	Stainless Steel;	0.60	18	3lts/1000rpm 4.5lts/1500rpm 6lts/3000 rpm

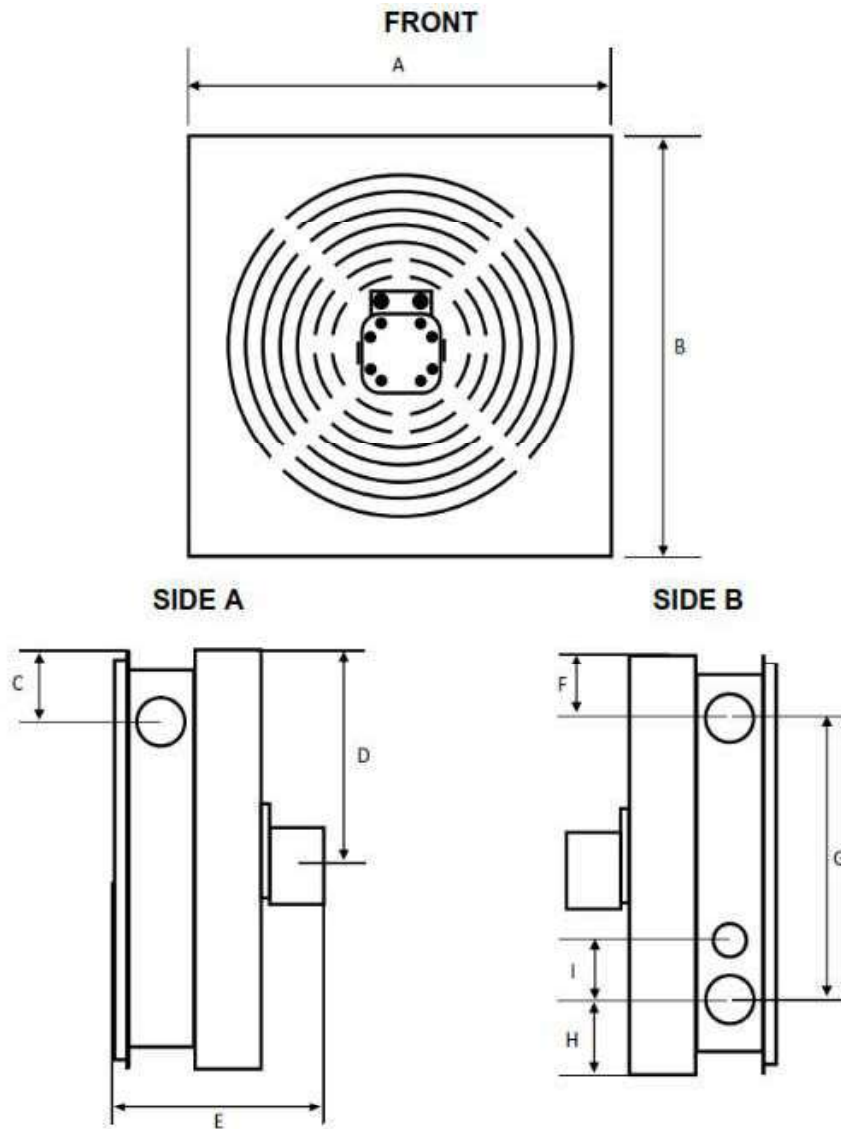


QUEENSLAND:
64 Success Street,
Acacia Ridge
(08) 3216 7855

VICTORIA:
39 Tullamarine Park Rd,
Tullamarine
(03) 8336 1346

info@gfr.net.au
www.gfrindustries.com.au

TECHNICAL DATA



DIMENSIONS (mm)									
MODEL	A	B	C	D	E	F	G	H	I
A-GFRHLC11SS	405	405	90	220	280	90	230	90	140



QUEENSLAND:
64 Success Street,
Acacia Ridge
(08) 3216 7855

VICTORIA:
39 Tullamarine Park Rd,
Tullamarine
(03) 8336 1346

info@gfr.net.au
www.gfrindustries.com.au

OIL COOLER MODULE

ECO07

HYDRAULIC OR 12/24VDC



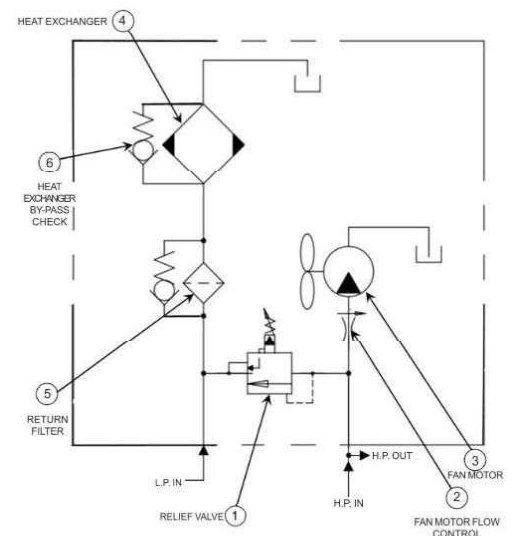
FEATURES

- High efficiency / Compact for Mobile Hydraulic Applications 12/24vdc or Hydraulic design .
- Hydraulic Fan—Dangerous Goods compliant
- 12 kW of cooling capacity
- 150 lt maximum flow

The ECO07 Cooling Module has a tank Filter and Cooler all in one. Made for Vacuum and Dangerous Goods Environment ,Such as Fuel tankers and Gas Tankers.

Code	Drive	Volume Lts	Material	Tank Size (lts)	Cooling Capacity (kW)	Weight (kg)
ECO07	Hydraulic or 12/24vdc	150	Stainless & steel	25lts	12	31

Dimensions



QUEENSLAND:

64 Success Street,
Acacia Ridge
(08) 3216 7855

VICTORIA:

39 Tullamarine Park Rd,
Tullamarine
(03) 8336 1346

info@gfr.net.au

www.gfrindustries.com.au

OIL COOLER MODULE MH3



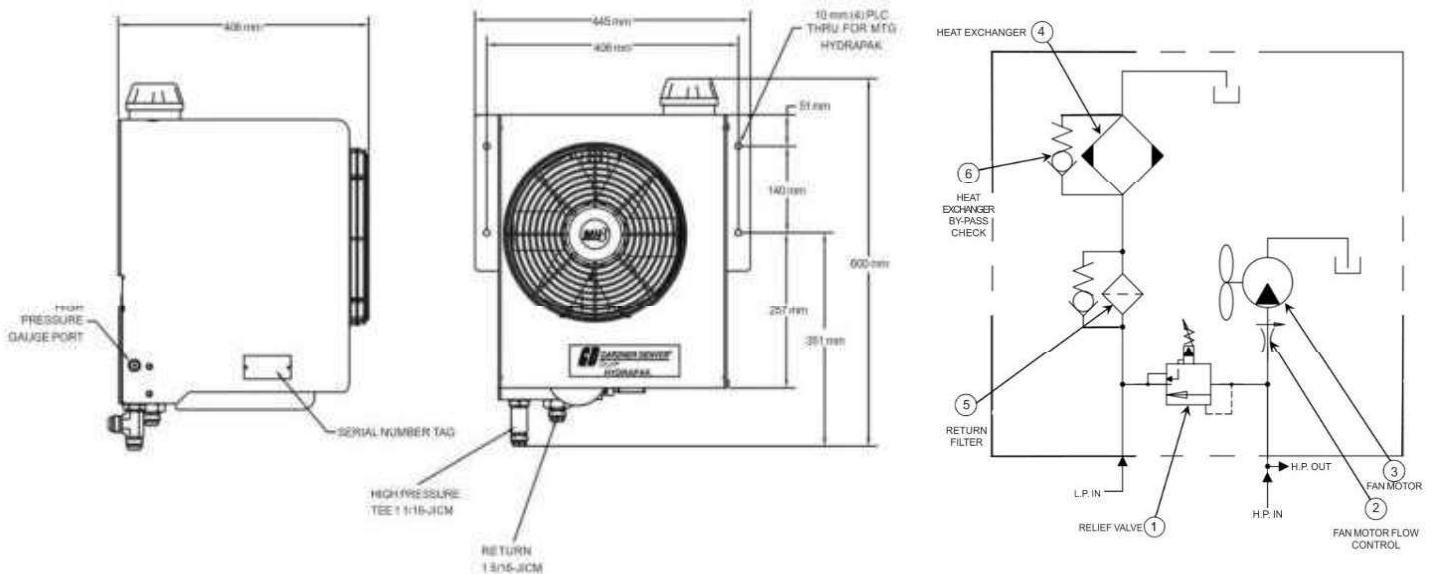
FEATURES

- High efficiency / compact design for mobile
- Hydraulic Fan—Dangerous Goods compliant
- 12 kW of cooling capacity
- 150 lt maximum flow

The MH3 cooling module has a tank and cooling system, hydraulic drive. Made for high floor and Dangerous Goods environments.

Code	Drive	Volume Lts	Material	Tank Size (lts)	Cooling Capacity (kW)	Weight (kg)
MH3	Hydraulic	150	Stainless Steel;	15	12	31

Dimensions



QUEENSLAND:

64 Success Street,
Acacia Ridge
(08) 3216 7855

VICTORIA:

39 Tullamarine Park Rd,
Tullamarine
(03) 8336 1346

info@gr.net.au

www.grindustries.com.au

OIL FILTERS



FEATURES

- High Flow



HFR20-10B-010



RFP-10B-L2-P10-R4

The 40CN filter is made for Truck Hydraulics. Able to take high flow , line pulse and truck vibration they are guaranteed not to fail

Code	Type	Max Flow Lts	Element Type	Bypass Pressure	Element	Ports
RFP-10B-L2-P10-R4	TANK TOP	150	Eco-glass	3.5 Bar	10 mic	1 1/4" BSPP
JFR1B-10B-L3-P10-R4-D-M-10	TANK TOP	150	Eco-glass	3.5 Bar	10 mic	1 1/4" BSPP
HFR20-10B-010	Line mount	280	Eco-glass	3.5 Bar	10 mic	1 1/2" BSP
40CN210QEV	Line mount	280	Eco-glass	3.5 Bar	10 mic	1 1/2" BSP



JFR1B-10B-L3-P10-R4-D-M-10

- 280 lts flow (with 10 micron element)
- Sensor options
- Heavy Duty construction for all applications



40CN210QEV



QUEENSLAND:
64 Success Street,
Acacia Ridge
(08) 3216 7855

VICTORIA:
39 Tullamarine Park Rd,
Tullamarine
(03) 8336 1346

info@gfr.net.au
www.gfrindustries.com.au